



# VENTEC XS 400

## EXTERNAL PUSH BUTTON

IDEAL FOR: DOORS AND ROOF ACCESS VENTS



**24 HR** NEXT DAY  
DESPATCH

**400 SERIES**  
COMPATIBLE

**SINGLE**  
ZONE

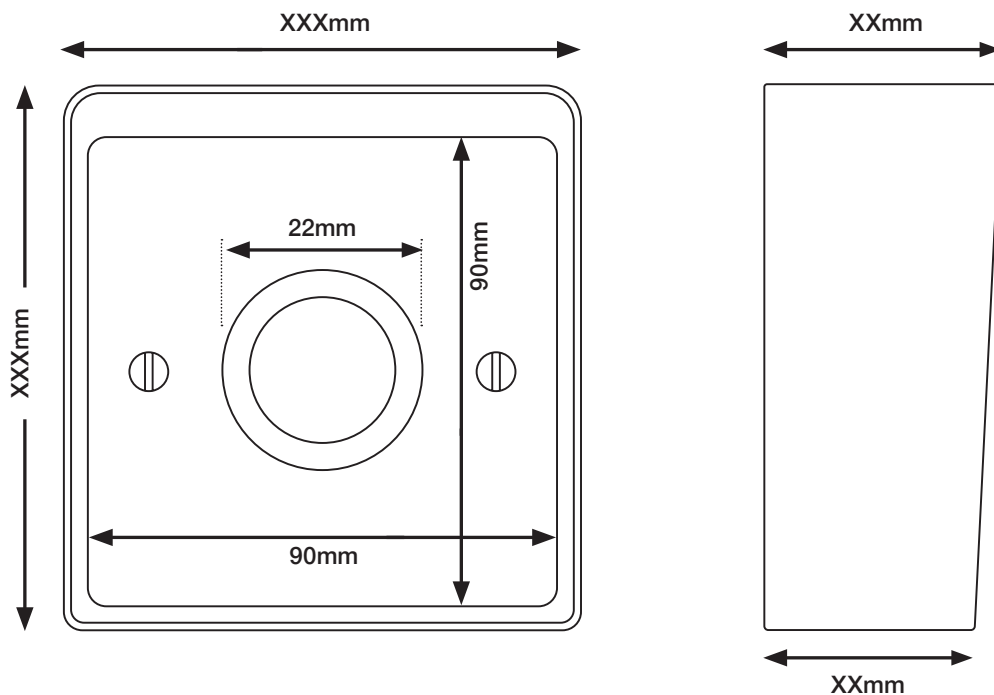
**IP66**  
RATED

### Product Summary

The Ventec XS 400 press-to-open button is a high quality product designed for indoor and outdoor use. An IP66 rating means the unit is fully resistant to dust and water ingress – even in extreme outdoor conditions. Featuring a unique cable gland to maximise watertightness – it also has a rainshield enclosure to give it additional protection from the elements and help maintain its stylish appearance for years to come. Flush mounting is optional if unit is removed from the back box.

Suitable for internal and external application – this unit can be used to enter or exit a building by releasing magnetic locks (when the button is pressed), or used for roof vent access from the outside, when on top of the building.

### Dimensions



# VENTEC XS 400

## EXTERNAL PUSH BUTTON



### Technical Data

	STANDARD ITEM
Front Plate Dimensions	90mm (h) x 90mm (w)
Load	4A @ 30VAC/DC
Switches	< 30volts DC/AC
Mounting	Flush or surface with back box
Materials	Plastic dome, stainless steel plate, plastic back box
Fixing	Single fixing and wiring point
IP Rating	IP66
Double Pole	NO (Normally Open) / NC (Normally Closed)
Reliability	> 1 million separate uses

### Product Specifications

- Push button switch
- Long lasting build and design
- Long lasting build and design
- Safe condition/evacuation green accent colour
- Tested to exceed 1 million separate uses

### Related Products and Services

The following should also be considered when planning your system.



400 SERIES  
BATTERY BACKUP



INSTALLATION  
& MAINTENANCE



400 SERIES  
WEATHER STATION



PROJECT  
COMMISSIONING