



VENTEC CENTRO

PIVOT WINDOW
WITH SMOKE
VENTILATION SYSTEM

IDEAL FOR: PITCH ROOFS, STAIRWELLS

24 HR NEXT DAY DESPATCH **400 SERIES** COMPATIBLE **24 VOLT** **15° - 90°** ROOF PITCH **SMOKE CONTROL**

UP TO
1.5m²
GFA

About this product

The Ventec Centro central pivoting window, with built in 24Vdc actuator, opens up to 90° to vent excess smoke and heat during a fire.

Made of high quality, vacuum impregnated pine which is guaranteed to be knot free. It is finished (internally) with natural lacquer as standard – white or bespoke colours on request.

Product Highlights

- ✓ BBA Approved (02/3944).
- ✓ 4mm toughened glass outer pane, 14mm steel spacer filled with inert argon gas.
- ✓ The 6.8mm internal pane is an anti-burglary class of laminate 33.2 (class P2A, EN 356, 1[B]1 wg EN 12600), complete with a low-emission coating.

Internal Colour Options

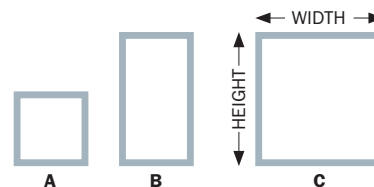
- Natural Pine
- White
- Bespoke colours on request



STANDARD SIZE – IN STOCK			
Structural Opening Width x Length (mm)	GFA (m ²)*	Aa (m ²)*	Amps
1140mm x 1180mm	1.0	0.71	1.4
FOR NON-STANDARD SIZES PLEASE CALL OUR CUSTOMER CARE TEAM TODAY			

*Value based on 90° installation only

Nominal Sizes Available

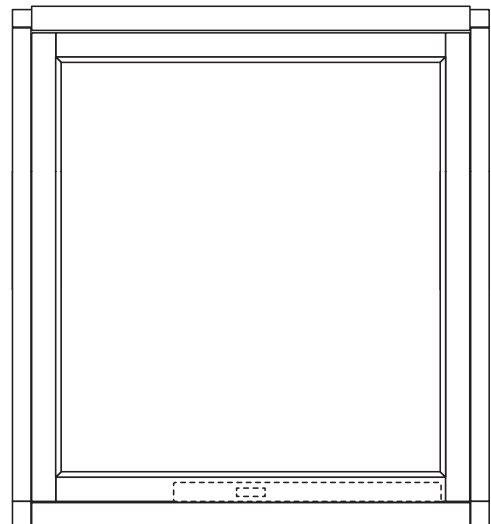


A	Minimum nominal size	780mm (W) x 780mm (H)
B	Maximum nominal size – Max. height at min. width	780mm (W) x 1400mm (H)
C	Maximum nominal size – Max. height at max. width	1340mm (W) x 1400mm (H)



Technical Data

	VENTEC CENTRO
Certification	BS EN12101-2
Vent Opening Angle	90°
Motor Type	Chain link
Voltage	24Vdc
Current Consumed	1.4 amps
No. Of Cable Cores	2 Core + Earth (see next page)
Active Smoke Area	0.29m ² to 1.01m ² (based on 90° install)
Opening Time	< 60 seconds
Wind Load Resistance	WL 3000
High Temperature Resistance	B 300
Snow Load Resistance	Up to SL 2741 – depending on pitch and size
Smoke Extraction Reliability	Re 1000
Glazing	Outer pane – 4mm toughened glass, 14mm Steel spacer filled with inert Argon gas. Internal pane – 6.8mm anti-burglary glass
Frame Material	Pine
Internal Colour Options	Pine, White or – bespoke colour options
Roof Pitch Suitability	15° – 90°
Flashing Kit	Up to 5mm Tile (standard option), Deep Tile, Slate, Plain



EXTERNAL VIEW
Actuator is not visible from outside

Dimensions, Stroke and Free Area*

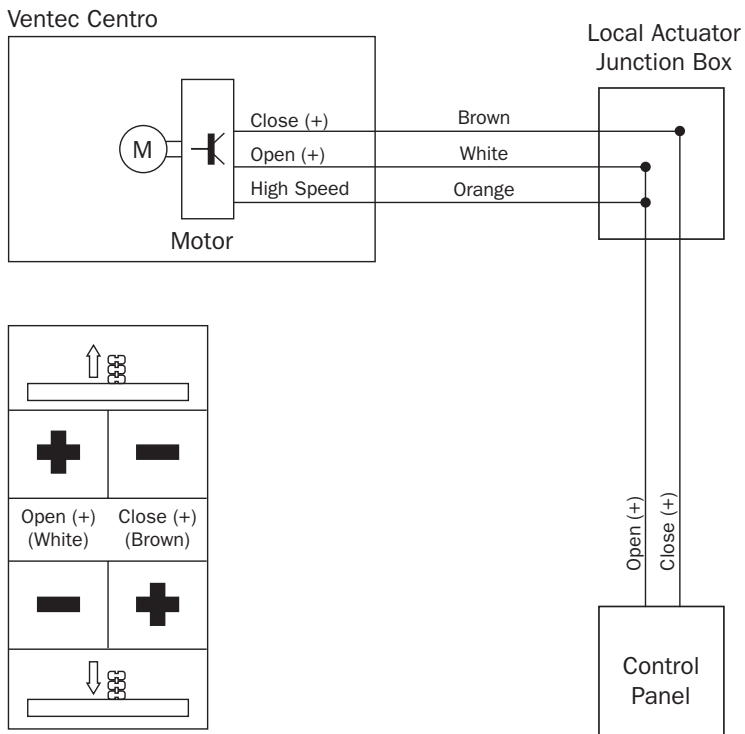
Dimensions Width x Height (mm)	Stroke Length (mm)	Geometric Smoke Free Area (m ²)	Max. Free Ventilation Area (m ²)
780 x 780	510	0.50	0.29
780 x 980	640	0.64	0.38
780 x 1180	775	0.78	0.47
780 x 1400	800	0.93	0.58
940 x 780	510	0.61	0.35
940 x 980	640	0.78	0.46
940 x 1180	775	0.96	0.58
940 x 1400	890	1.14	0.70
940 x 1600	890	1.32	0.80
1140 x 780	510	0.75	0.44
1140 x 980	640	0.97	0.57
1140 x 1180	775	1.17	0.71
1140 x 1400	890	1.41	0.86
1340 x 780	510	0.90	0.52
1340 x 980	640	1.15	0.68
1340 x 1180	775	1.40	0.84
1340 x 1400	890	1.68	1.01

Standard size in bold text

*Free Area values based on 90° installation only

Wiring Information

The Ventec Centro actuator flying lead has 3 cores. To enable high speed operation (for smoke ventilation) it needs to be wired to a control panel in a specific way as shown below.



Related Products and Services



400 SERIES
BATTERY BACKUP



VENTEC SD 400
SMOKE DETECTOR



INSTALLATION
& MAINTENANCE



PROJECT
COMMISSIONING