



# VENTEC OSTRO HT

## 140° AOV ROOF VENT

IDEAL FOR: STAIRWELLS, LOBBIES & CORRIDORS

**24 HR** NEXT DAY DESPATCH    **400 SERIES COMPATIBLE**    **24 VOLT**

### Natural Smoke Ventilator

The Ventec Ostro HT automatic smoke vent is a 140° opening single-leaved type designed with the primary function of dispersing smoke, fumes and heat from inside buildings to the outside. The standard size allows 1.0m<sup>2</sup> of Geometric Free Area, but can also be customised to most structural opening dimensions. It is fitted with a 24Vdc actuator and is BS EN12101-2 certified.

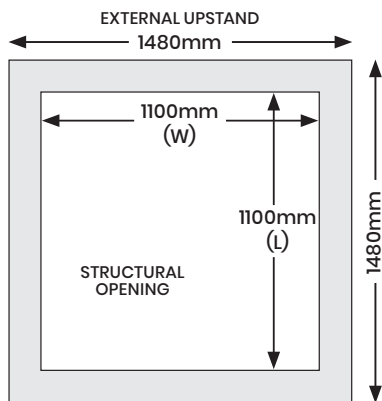


STANDARD SIZE – IN STOCK			
Structural Opening Width x Length	GFA (m <sup>2</sup> )	Aa (m <sup>2</sup> )	Current (amps)
1100mm x 1100mm	1.0	0.85	1.6
<b>FOR NON-STANDARD SIZES PLEASE CALL OUR CUSTOMER CARE TEAM TODAY</b>			

### Product Specifications

- Straight N-type base with height of 500mm made of 1.25mm thickness galvanized sheet steel.
- Approved Document L compliant unit U-value of 2.06W/m<sup>2</sup>/K
- Single leaf lid available in various materials and thickness options – powered by a centrally mounted 24Vdc actuator.
- Turn down flange to suit a 150mm high (minimum), 190mm wide all round, finished upstand. Weathering by others.

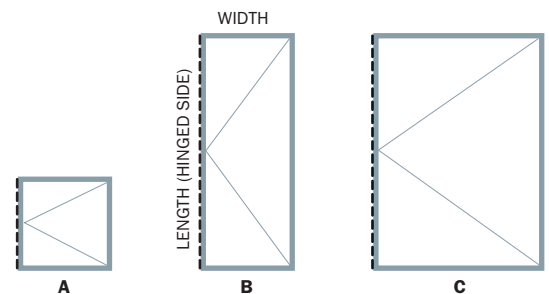
### Dimensions (standard sizes)



**GFA**  
1.0m<sup>2</sup>

**Aa**  
0.85m<sup>2</sup>

### Nominal Sizes Available\*



<b>A</b>	Minimum nominal size	1000mm (W) x 1000mm (L)
<b>B</b>	Maximum nominal size – Max. length at Min. width	1000mm (W) x 2500mm (L)
<b>C</b>	Maximum nominal size – Max. length at Max. width	1800mm (W) x 2500mm (L)

\* Smaller and larger sizes are available, but they may not be compliant with BS EN12101 UK Smoke Standards.

# VENTEC OSTRO HT 140° AOV ROOF VENT



## Technical Data (standard size)

	1m <sup>2</sup> GEOMETRIC FREE AREA
Structural Opening Dimensions	1100mm (W) x 1100mm (L)
Maximum Opening Angle	140°
Certification	BS EN12101-2
Overall unit U-value	2.06W/m <sup>2</sup> /K
Compliance	Approved Document L
Voltage	24Vdc
Geometric Free Area	1.0m <sup>2</sup>
Aerodynamic Free Area	0.85m <sup>2</sup>
Snow Load	SL 250
Wind Load	WL 1500
Operating Temperature Low	Resistance to -25°C – 0°C
Resistance Temperature High	B 300 resistance to 300°C
Operational Reliability	Re 50
Dual Purpose Reliability	Re 10000
Current Consumption	1.6 amps
Opening Time	< 60 seconds
Base Material	1.25mm galvanised steel
Base Insulation	30mm PIR board
Base Height (mm)	500mm
Flange Width (mm)	200mm
Flange Drip Cap	30mm
Lid Material	Cellular polycarbonate (opal) 10mm
Finishing	Steel strip surrounding the upper part of the base, used for fixing roofing paper
FP Core Type	FP PLUS
Number Of Cores	2 Core + Earth
Weight	100 kg

## Daily Ventilation

The Ventec Ostro HT can be used as a day to day ventilation option, but it is not recommended in areas prone to high winds. For daily ventilation we recommend the opening measurement does not exceed 100mm.

## Related Products and Services

The following should also be considered when planning your system.



INSTALLATION  
& MAINTENANCE



400 SERIES  
BATTERY BACKUP



PROJECT  
COMMISSIONING



400 SERIES  
WEATHER STATION

## Lid Options\*

- Cellular polycarbonate, aluminium sandwich fill or polycarbonate with PCA dome options.



CELLULAR POLYCARBONATE	
<b>STANDARD LID</b> Opal 10mm	Clear 10mm
Opal 16mm	Clear 16mm
Opal 20mm	Clear 20mm
Opal 25mm	Clear 25mm
SANDWICH PANEL	
Aluminium + XPS20mm + Aluminium	
Aluminium + XPS40mm + Aluminium	
CELLULAR POLYCARBONATE LAYER PLUS PCA DOME	
Polycarbonate + 1-layer dome PC/PMMA Single layer dome + PCA 10mm Single layer dome + PCA 16mm Single layer dome + PCA 20mm Single layer dome + PCA 25mm	
Polycarbonate + 2-layer dome PC/PMMA Double layer dome + PCA 10mm Double layer dome + PCA 16mm Double layer dome + PCA 20mm Double layer dome + PCA 25mm	

\* Lid options may affect technical data stated

## Maintenance

It is important to maintain this product as per the manufacturers instructions. If you require assistance with any aspect of installation, commissioning or maintenance please contact our customer support care today.

## Base Options\*

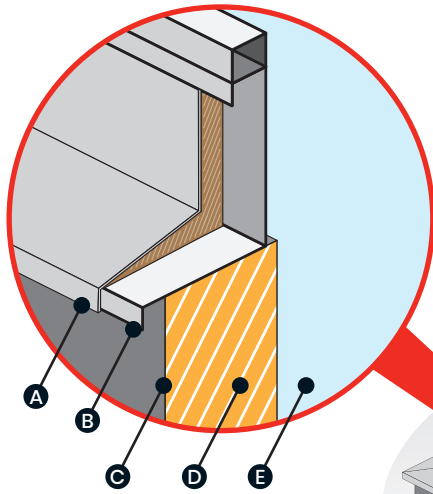
- The thermal insulation type and thickness can be adjusted to individual requirements.
- Available with wind deflector and inlet deflector (non-standard).



STANDARD BASE INSULATION
30mm PIR board
NON-STANDARD BASE OPTIONS
Paint finish options

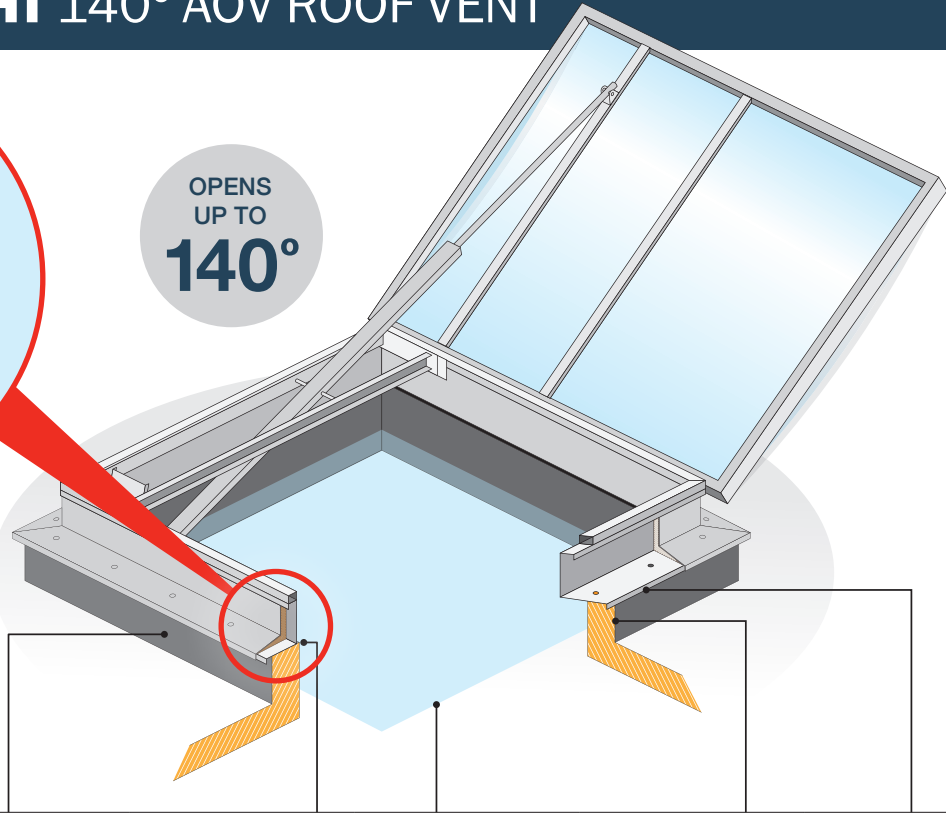
\* Base options may affect technical data stated

# VENTEC OSTRO HT 140° AOV ROOF VENT



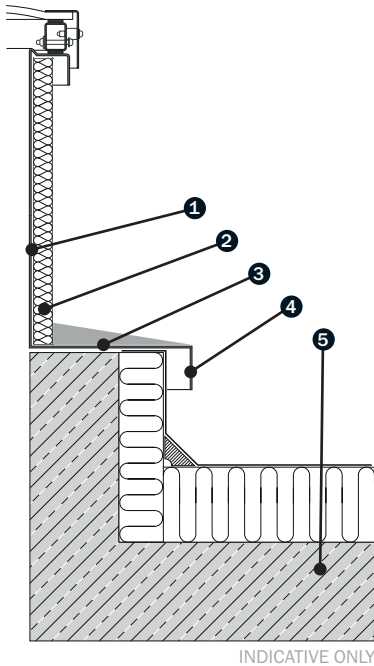
- A. Base overlay
- B. Flange outer
- C. External upstand size
- D. Upstand
- E. Structural opening

OPENS  
UP TO  
**140°**



STANDARD SIZES	External upstand	Upstand height	Structural opening	Upstand width	Flange outer
1m <sup>2</sup> Geometric Free Area	1480mm x 1480mm	Minimum 150mm	1100mm x 1100mm	190mm all round	1500mm x 1500mm

\*The Ostro HT 1m<sup>2</sup> has a 200mm flange width



INDICATIVE ONLY

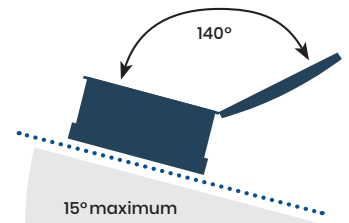
1. Steel base
2. Thermal insulation of the base
3. Flange
4. Drip cap
5. Reinforced base and upstand

## Upstand Requirements

A finished weather resistant upstand is required to accommodate the roof vent.



The upstands dimensions to achieve 1m<sup>2</sup> of Geometric Free Area are:  
1100mm (W) x 1100mm (L) – Internal dimensions of structural opening  
1480mm (W) x 1480mm (L) – External dimensions of upstand



## Pitched Roof Installation

If installing an OSTRO HT on a pitched roof, the hinges should be positioned at the lowest point. The maximum angle for OSTRO installation is 15°.

**FOR ROOF PITCHES UP TO 10°** – No size restrictions.

**FOR ROOF PITCHES 10° – 15°** – The maximum size for a rectangular Ostro HT with a polycarbonate lid is 1800mm (W) x 2500mm (L). The maximum size for a square Ostro with a double layer dome, or a PCA with single layer dome is 1800mm x 1800mm. The maximum size square Ostro with a triple layer dome, or a PCA with double layer dome is 1500mm x 1500mm.