



VENTEC OSTRO

140° AOV ROOF VENT

IDEAL FOR: STAIRWELLS, LOBBIES & CORRIDORS



24 HR NEXT DAY DESPATCH

400 SERIES COMPATIBLE

24 VOLT

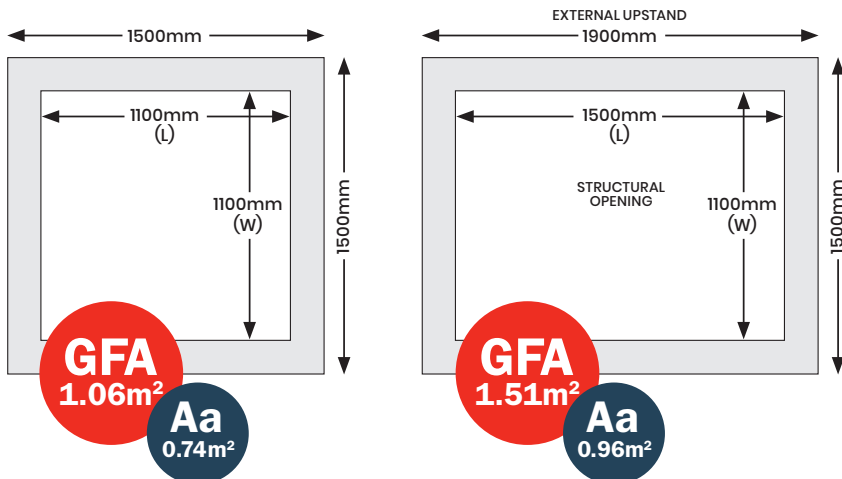
Natural Smoke Ventilator

The Ventec Ostro automatic smoke vent is a 140° opening single leaf type designed with the primary function of dispersing smoke, fumes and heat from inside buildings to the outside. It comes in two standard sizes allowing 1.06m² or 1.51m² of Geometric Free Area, but can also be customised to most structural opening dimensions. Both standard sizes are BS EN12101-2 certified and Approved Document L compliant.

Product Specifications

- Straight type overlay base with height of 200mm made of 1.25mm thickness galvanized sheet steel and insulated with 30mm PIR panel.
- Single leaf lid available in various materials and thickness options – powered by a centrally mounted 24Vdc actuator.
- Turn down flange to suit a 150mm high (minimum), 200mm wide all round, finished upstand. Weathering by others.

Dimensions (standard sizes)

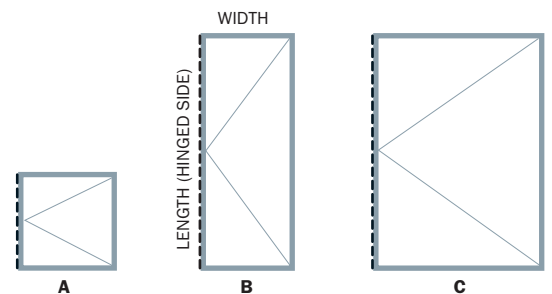


STANDARD SIZES – IN STOCK

Structural Opening Width x Length	GFA (m ²)	Aa (m ²)	Current (amps)
1100mm x 1100mm	1.06	0.74	1.6
1100mm x 1500mm	1.51	0.96	2.0

FOR NON-STANDARD SIZES PLEASE CALL OUR CUSTOMER CARE TEAM TODAY

Nominal Sizes Available*



A	Minimum nominal size	1100mm (W) x 1100mm (L)
B	Maximum nominal size – Max. length at Min. width	1000mm (W) x 2500mm (L)
C	Maximum nominal size – Max. length at Max. width	1800mm (W) x 2500mm (L)

* Smaller and larger sizes are available, but they may not be compliant with BS EN12101 UK Smoke Standards.

VENTEC OSTRO 140° AOV ROOF VENT

24 HR DESIGN TECH Technical Data (standard sizes)

	1m ² GEOMETRIC FREE AREA	1.5m ² GEOMETRIC FREE AREA
Structural Opening Dimensions	1100mm (W) x 1100mm (L)	1100mm (W) x 1500mm (L)
Opening Angle (max.)	140°	140°
Overall Unit Thermal Transmission	U-Value 2.92 (W/m ² K)	U-Value 2.86 (W/m ² K)
Certification	BS EN12101-2	BS EN12101-2
Voltage	24Vdc	24Vdc
Geometric Free Area	1.06m ²	1.51m ²
Aerodynamic Free Area	0.74m ²	0.96m ²
Snow Load	SL 250	SL 250
Wind Load	WL 1500	WL 1500
Operating Temperature Low	Resistance to -25°C	Resistance to -25°C
Resistance Temperature High	B 300 resistance to 300°C	B 300 resistance to 300°C
Operational Reliability	Re 50	Re 50
Dual Purpose Reliability	Re 10000	Re 10000
Current Consumption	1.6 amps	2.0 amps
Opening Time	< 60 seconds	< 60 seconds
Base Material	1.25mm galvanised steel	1.25mm galvanised steel
Base Insulation	30mm PIR panel	30mm PIR panel
Base Height (mm)	200mm	200mm
Flange Width (mm)	230mm	230mm
Flange Drip Cap	50mm	50mm
Lid Material	Multi-chamber polycarbonate (opal) 10mm	Multi-chamber polycarbonate (opal) 10mm
Number Of Cores	2 Core + Earth	2 Core + Earth

Daily Ventilation

The Ventec Ostro can be used as a day to day ventilation option, but it is not recommended in areas prone to high winds. For daily ventilation we recommend the opening measurement does not exceed 100mm.



Related Products and Services

The following should also be considered when planning your system.



INSTALLATION
& MAINTENANCE



400 SERIES
BATTERY BACKUP



PROJECT
COMMISSIONING



400 SERIES
WEATHER STATION

Lid Options*

- Multi-chamber polycarbonate, aluminium sandwich fill or polycarbonate with PCA dome options.



MULTI-CHAMBER POLYCARBONATE	
STANDARD LID Opal 10mm	Clear 10mm
Opal 16mm	Clear 16mm
Opal 20mm	Clear 20mm
Opal 25mm	Clear 25mm
SANDWICH PANEL	
Aluminium + XPS20mm + Aluminium	
Aluminium + XPS40mm + Aluminium	
CELLULAR POLYCARBONATE LAYER PLUS PCA DOME	
Polycarbonate + 1-layer dome PC/PMMA Single layer dome + PCA 10mm Single layer dome + PCA 16mm Single layer dome + PCA 20mm Single layer dome + PCA 25mm	
Polycarbonate + 2-layer dome PC/PMMA Double layer dome + PCA 10mm Double layer dome + PCA 16mm Double layer dome + PCA 20mm Double layer dome + PCA 25mm	

* Lid options may affect technical data stated

Maintenance

It is important to maintain this product as per the manufacturers instructions. If you require assistance with any aspect of installation, commissioning or maintenance please contact our customer support care today.

Base Options*

- The thermal insulation type and thickness can be adjusted to individual requirements.
- Available with wind deflector and inlet deflector (non-standard).

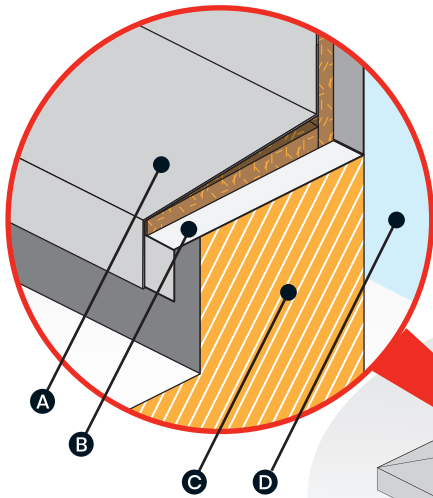


STANDARD BASE
Unpainted base 30mm PIR panel base insulation Unpainted base outer cover

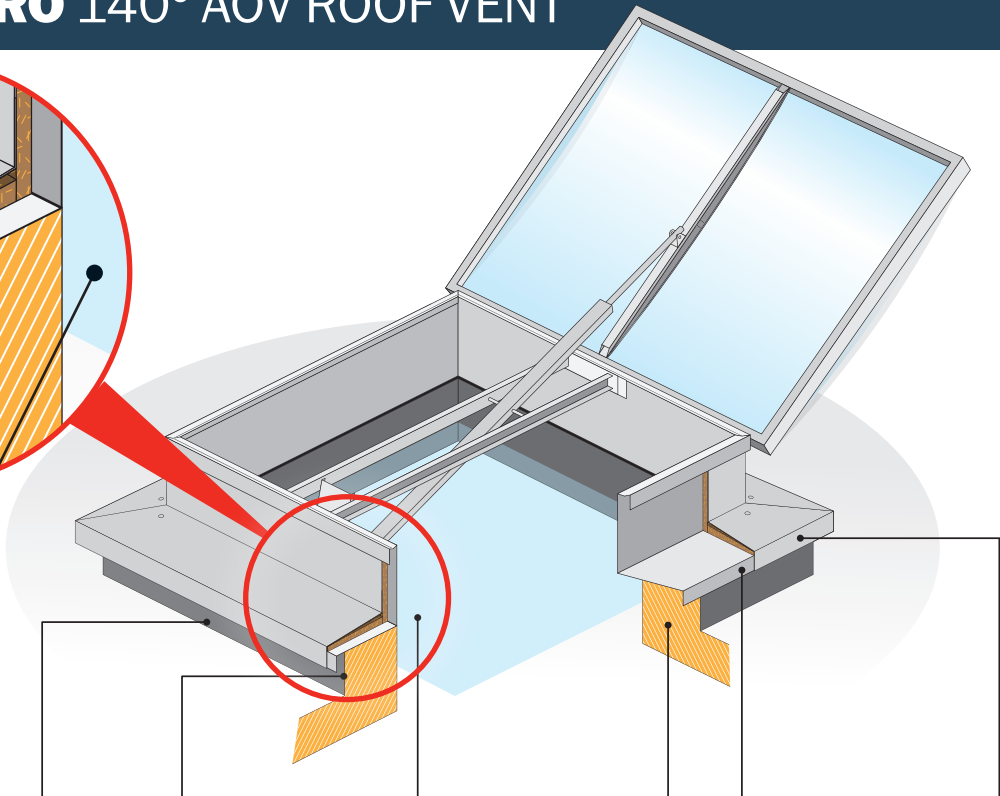
NON-STANDARD BASE OPTIONS
Up to 40mm mineral wool or PIR panel
Paint finish options

* Base options may affect technical data stated

VENTEC OSTRO 140° AOV ROOF VENT



- A. Base Cover
- B. Flange
- C. Upstand
- D. Structural Opening



STANDARD SIZES	Upstand Outer (max.)	Upstand Height	Structural Opening	Upstand Thickness (all round)	*Flange Outer	Base Cover Outer
1.06m ² GFA	1500mm(W) x 1500mm(L)	150mm (min.)	1100mm (W) x 1100mm (L)	200mm (max.)	1560mm (W) x 1560mm (L)	1566mm (W) x 1566mm (L)
1.51m ² GFA	1500mm(W) x 1900mm(L)	150mm (min.)	1100mm (W) x 1500mm (L)	200mm (max.)	1560mm (W) x 1960mm (L)	1566mm (W) x 1966mm (L)

*Both standard Ventec Ostro sizes have a 230mm flange width all round

Upstand Requirements

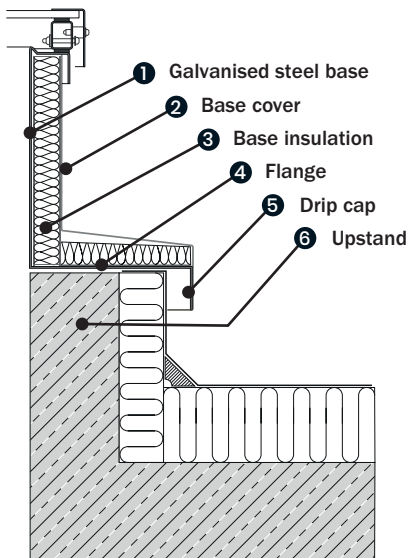
A finished weather resistant upstand is required to accommodate the roof vent.

**GFA
1m²**

The upstands dimensions to achieve 1m² of Geometric Free Area are:
1100mm (W) x 1100mm (L) – Internal dimensions of structural opening
1500mm (W) x 1500mm (L) – External dimensions of upstand

**GFA
1.5m²**

The upstand dimensions to achieve 1.5m² of Geometric Free Area are:
1100mm (W) x 1500mm (L) – Internal dimensions of structural opening
1500mm (W) x 1900mm (L) – External dimensions of upstand



Pitched Roof Installation

If installing an OSTRO on a pitched roof, the hinges should be positioned at the lowest point. The maximum angle for OSTRO installation is 15°.

FOR ROOF PITCHES UP TO 10° – No size restrictions.

FOR ROOF PITCHES 10° - 15° – The maximum size for a rectangular Ostro with a polycarbonate lid is 1800mm (W) x 2500mm (L). The maximum size for a square Ostro with a double layer dome, or a PCA with single layer dome is 1800mm x 1800mm. The maximum size square Ostro with a triple layer dome, or a PCA with double layer dome is 1500mm x 1500mm.