



VENTEC OSTRO ACCESS

140° AOV ROOF VENT

IDEAL FOR: STAIRWELLS, LOBBIES & CORRIDORS

24 HR NEXT DAY DESPATCH **400 SERIES COMPATIBLE** **24 VOLT** **ROOF ACCESS**



Natural Smoke Ventilator

The Ventec Ostro Access automatic smoke vent is a 140° opening single leafed type, designed with the primary function of dispersing smoke, fumes and heat from inside buildings to the outside. A side positioned 24Vdc actuator allows maintenance access to the roof. The Ventec Ostro Access is ideal for installation in stairwell or corridor applications.

The standard size allows 1m² of Geometric Free Area, custom sizes are available to fit most structural opening dimensions.

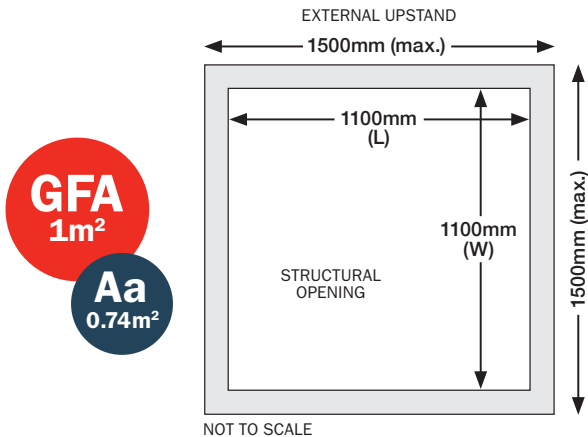
Product Specifications

- Straight base with height of 200mm made of 1.25mm thickness galvanized sheet steel
- Turn down flange to suit a 150mm high (minimum), 200mm thickness (all round) finished upstand. Weathering by others
- BS EN12101-2 certified
- Approved Document L compliant

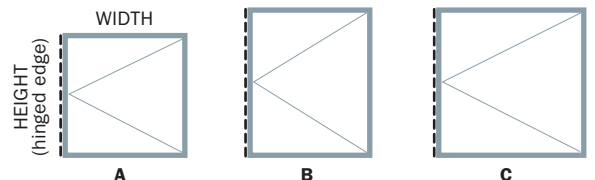


STANDARD SIZE – IN STOCK			
Structural Opening Width x Length	GFA (m ²)	Aa (m ²)	Current (amps)
1100mm x 1100mm	1.06	0.74	1.6
Non-standard sizes available on request			

Upstand Dimensions (standard size)



Nominal Sizes Available



A	Minimum nominal size	1000mm (W) x 1000mm (L)
B	Maximum nominal size – Max. length at Min. width	1000mm (W) x 1200mm (L)
C	Maximum nominal size – Max. length at Max. width	1200mm (W) x 1200mm (L)

VENTEC OSTRO ACCESS 140° AOV ROOF VENT



Technical Data (standard size)

	1m ² GEOMETRIC FREE AREA
Structural Opening Dimensions	1100mm (W) x 1100mm (L)
Overall Unit Dimensions	1566mm (W) x 1566mm (L)
Maximum Opening Angle	140°
Certification	BS EN12101-2
Compliance	Approved Document L
Overall Unit Thermal Transmission	U-Value 2.92 W/m ² k
Voltage	24Vdc
Geometric Free Area	1.06m ²
Aerodynamic Free Area	0.74m ²
Snow Load	SL 250
Wind Load	WL 1500
Operating Temperature Low	Resistance to -25°C – 0°C
Resistance Temperature High	B 300 resistance to 300°C
Operational Reliability	Re 50
Dual Purpose Reliability	Re 10000
Current Consumption	1.6 amps
Opening Time	< 60 seconds
Base Material	1.25mm galvanised steel
Base Insulation	30mm PIR Panel
Base Height (mm)	200mm
Flange Width (mm)	230mm
Flange Drip Cap	50mm
Lid Material	Cellular polycarbonate (opal) 10mm
Finishing	Steel strip surrounding the upper part of the base, used for fixing roofing paper
FP Core Type	FP PLUS
Weight	Approx. 100 kg
Number Of Cores	2 Core + Earth

Daily Ventilation

The Ventec Ostro Access can be used as a day to day ventilation option, but it is not recommended in areas prone to high winds. For daily ventilation we recommend the opening measurement does not exceed 100mm.

Related Products and Services

The following should also be considered when planning your system.



INSTALLATION
& MAINTENANCE



400 SERIES
BATTERY BACKUP



PROJECT
COMMISSIONING



400 SERIES
WEATHER STATION

Lid Options*

- Cellular polycarbonate, aluminium sandwich fill or polycarbonate with PCA dome options.



CELLULAR POLYCARBONATE	
STANDARD LID Opal 10mm	Clear 10mm
Opal 16mm	Clear 16mm
Opal 20mm	Clear 20mm
Opal 25mm	Clear 25mm
SANDWICH PANEL	
Aluminium + XPS20mm + Aluminium	
Aluminium + XPS40mm + Aluminium	
CELLULAR POLYCARBONATE LAYER PLUS PCA DOME	
Polycarbonate + 1-layer dome PC/PMMA Single layer dome + PCA 10mm Single layer dome + PCA 16mm Single layer dome + PCA 20mm Single layer dome + PCA 25mm	
Polycarbonate + 2-layer dome PC/PMMA Double layer dome + PCA 10mm Double layer dome + PCA 16mm Double layer dome + PCA 20mm Double layer dome + PCA 25mm	

* Lid options may affect technical data stated

Maintenance

It is important to maintain this product as per the manufacturers instructions. If you require assistance with any aspect of installation, commissioning or maintenance please contact our customer support care today.

Base Options*

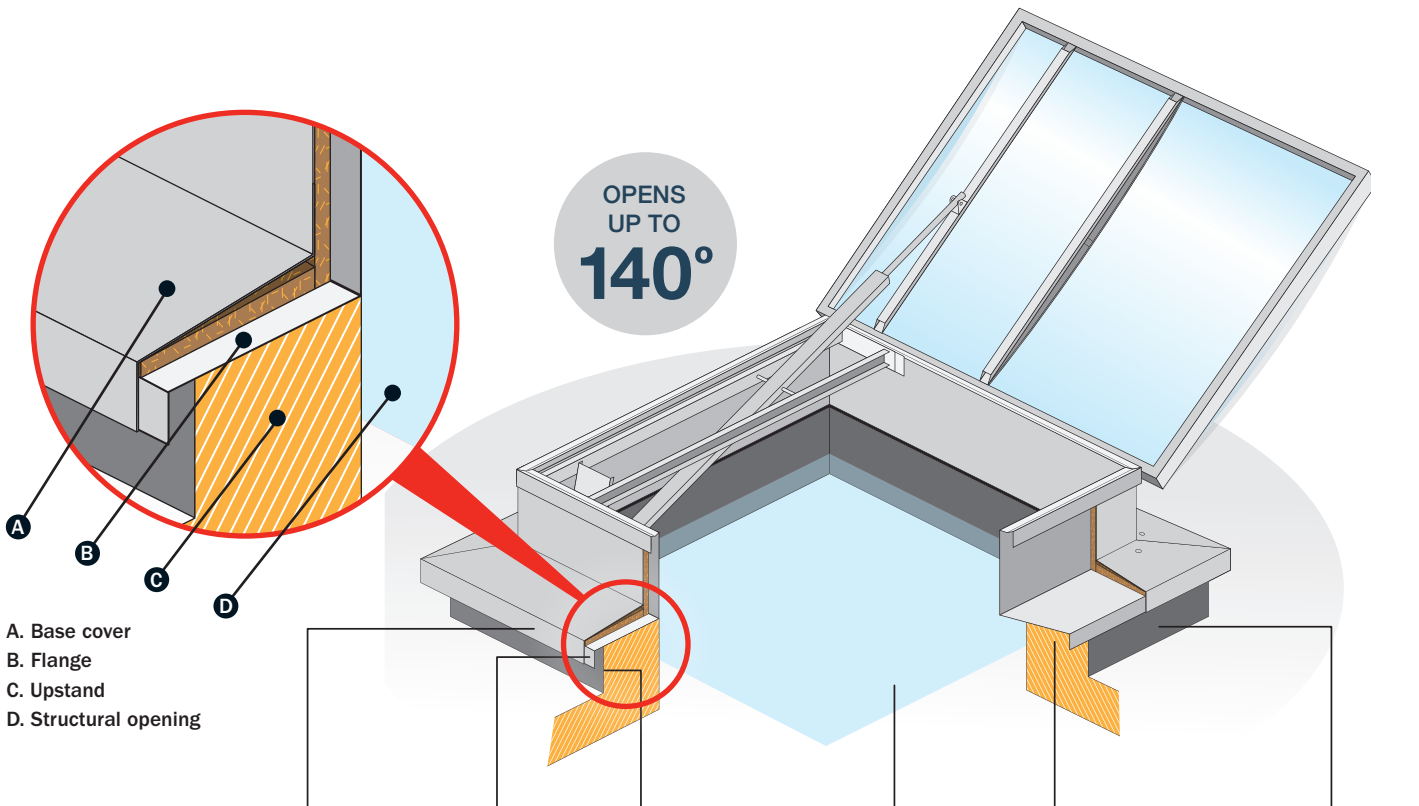
- The thermal insulation type and thickness can be adjusted to individual requirements.
- Available with wind deflector and inlet deflector (non-standard).



STANDARD BASE INSULATION
30mm PIR Panel
NON-STANDARD BASE OPTIONS
Up to 40mm mineral wool or PIR Panel
Standard RAL colour options

* Base options may affect technical data stated

VENTEC OSTRO ACCESS 140° AOV ROOF VENT



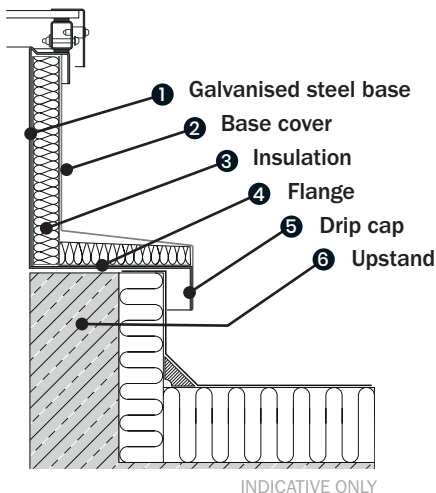
- A. Base cover
- B. Flange
- C. Upstand
- D. Structural opening

STANDARD SIZE	Base cover outer	*Flange outer	Upstand outer	Structural opening	Upstand thickness	Upstand height
1m ² GFA	1566mm x 1566mm	1560mm x 1560mm	1500mm x 1500mm	1100mm x 1100mm	200mm all round (max.)	Minimum 150mm

*The standard Ventec Ostro Access has a 230mm flange width

Upstand Requirements

A finished weather resistant upstand is required to accommodate the roof vent.



1. Steel base
2. Thermal insulation of the base
3. Flange
4. Drip cap
5. Reinforced base and upstand



The upstands dimensions to achieve 1m² of Geometric Free Area are:
1100mm (W) x 1100mm (L) – Internal dimensions of structural opening
1500mm (W) x 1500mm (L) – External dimensions of upstand

Pitched Roof Installation

If installing an OSTRO ACCESS on a pitched roof, the hinges should be positioned at the lowest point. The maximum angle for installation is 15°.

FOR ROOF PITCHES UP TO 10° – No size restrictions.

FOR ROOF PITCHES 10° – 15° – The maximum size for a rectangular Ostro Access with a polycarbonate lid is 1800mm (W) x 2500mm (L). The maximum size for a square Ostro Access with a double-layer dome, or a PCA with single layer dome is 1800mm x 1800mm. The maximum size for a square Ostro Access with a triple layer dome, or a PCA with double layer dome is 1500mm x 1500mm.