

**24**
HR
NEXT DAY
DESPATCH **SMOKE**
VENTILATION **ENVIRO**
VENTILATION **24V**
POWER INPUT **400 Series**
COMPATIBLE **O Range**
COMPATIBLE **1000-G**
COMPATIBLE

About This Product

The Ventec Velo louvre window, with an internal mounted 24Vdc actuator, features double-glazed (standard), triple-glazed or insulated aluminium blades. It is suitable for both environmental ventilation and emergency smoke ventilation use. Two standard sizes allow 1.04m² or 1.5m² Geometric Free Area (GFA) – other sizes are available on request.

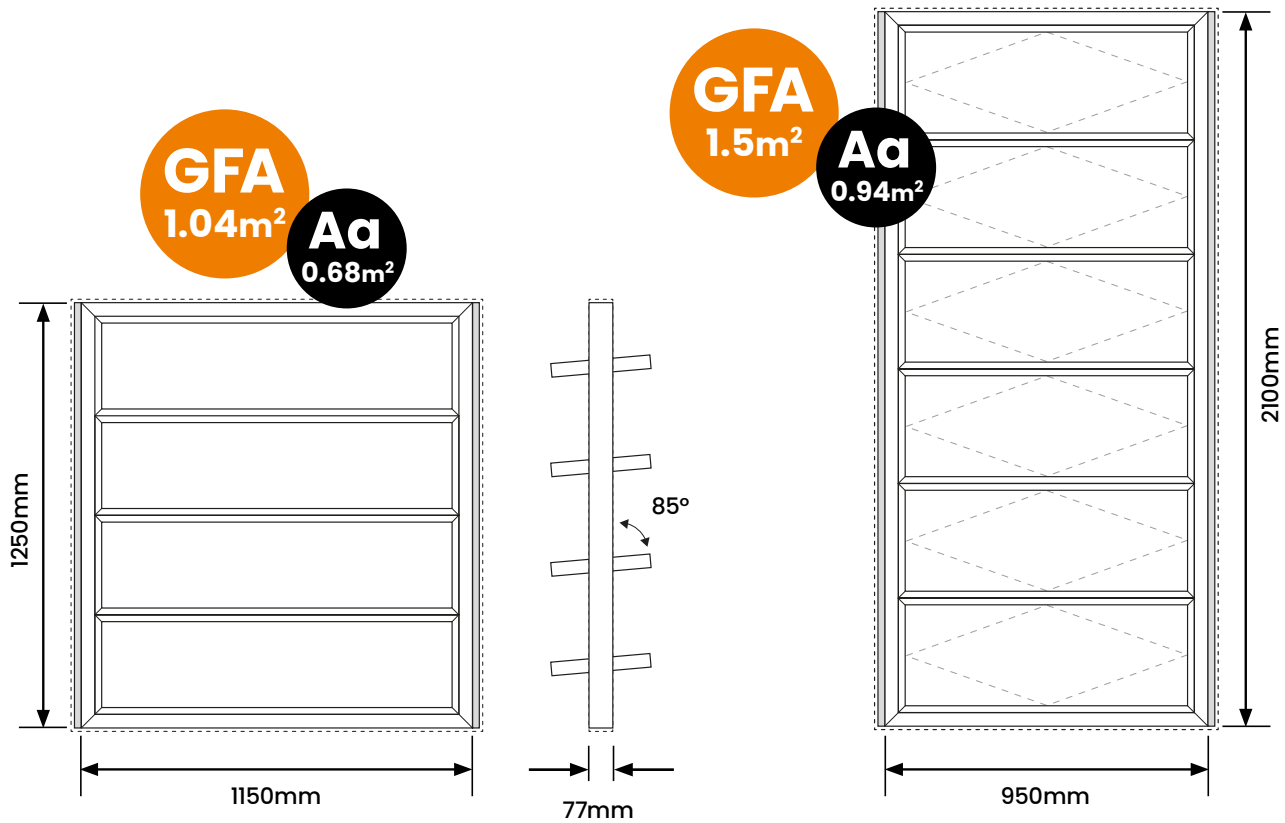
Thermally broken extruded aluminium frames tested in accordance with BS EN12101-2.

Press formed mitred corner joints, makes for an enhanced visual appearance. The louvre blades rotate on pivot bearings connected to a rack & pinion mechanism, ensuring smooth, synchronized operation.

Product Highlights

- Motor programmed with anti finger trapping function
- Options for structural opening or curtain walling installation
- Double polypropylene brush draught seal

Dimensions (standard frame sizes)



Nominal Sizes* (available on request)

	Frame	Frame including adapter	Structural Opening
Minimum nominal size	350mm(W) x 350mm(H)	390mm(W) x 350mm(H)	410mm(W) x 370mm(H)
Maximum nominal size – Max. width at Min. height	2500mm(W) x 350mm(H)	2540mm(W) x 350mm(H)	2560mm(W) x 370mm(H)
Maximum nominal size – Max. width at Max. height	2500mm(W) x 6000mm(H)	2540mm(W) x 6000mm(H)	2560mm(W) x 6020mm(H)

* Non-standard sizes may not be compliant with BS EN12101 UK Smoke Standards.

Technical Data (standard sizes)

	Ventec Velo – 1.04m ² GFA	Ventec Velo – 1.5m ² GFA
Number Of Blades	4	6
Dimensions	1150mm (W) x 1250mm (H)	950mm (W) x 2100mm (H)
Blade Height	286mm	331mm
Geometric Free Area	1.04m ²	1.5m ²
Aerodynamic Free Area	0.68m ²	0.94m ²
Vent Opening Angle	0 – 85°	0 – 85°
Operating Voltage	24Vdc	24Vdc
Tractive Force	800N	800N
Electric Drive Type	D+H LDF 100/70-RL Mounted on internal top right of side-frame	
Current Consumed	Max. 0.85 amps	Max. 0.85 amps
Finish	White – polyester powder coat to standard colour RAL 9010 – matt (30% gloss level) – other colours available on request	
Glazing	U-value 1.1 (W/m ² K)	U-value 1.1 (W/m ² K)
Overall Thermal Transmittance	U-value 2.00 (W/m ² K)	U-value 1.9 (W/m ² K)
Glazing	6mm Laminated outside, 20mm Argon-gas cavity, 6.38mm Laminated low-E inside. With black warm edge cavity spacer	
Reliability – Smoke Extraction	Re 1000	Re 1000
Reliability – Enviro Ventilation	Re 10000	Re 10000
Opening Time	< 60 seconds	< 60 seconds
Weight	47 kg	67 kg
Operating Temperature	-5°C to 50°C	-5°C to 50°C
Resistance Temperature High	B 300 E	B 300 E
No. Of Cable Cores	2 Core + Earth	2 Core + Earth

Vent Engineering advises that the design, supply, and installation of all electrical wiring be carried out in accordance with current standards.

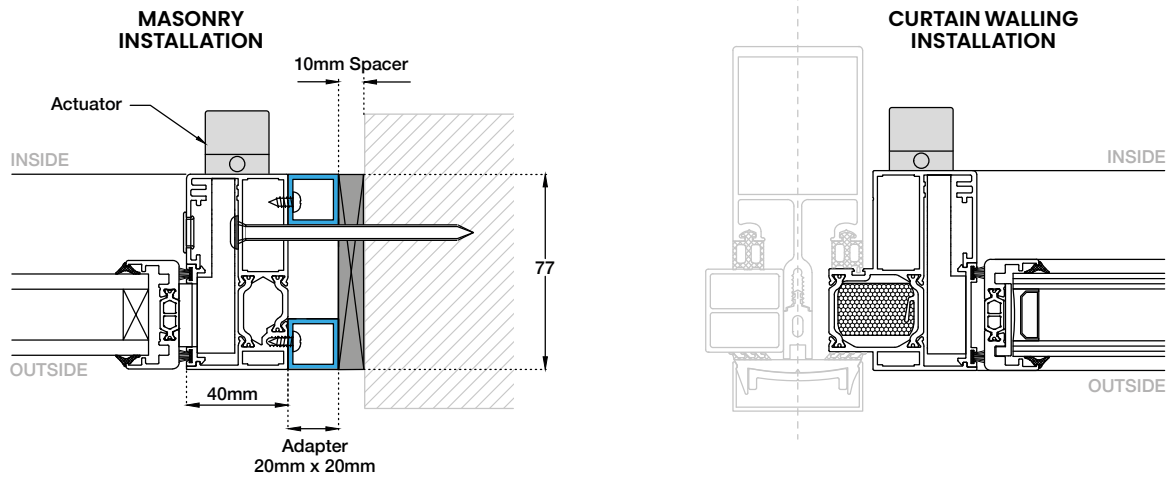
Blade Options

Blade glazing options include 28mm or 32mm double-glazing (32mm as standard), 32mm triple-glazing or insulated aluminium panels. EPDM gaskets included. Louvres are flush-fitting with external frame when closed.

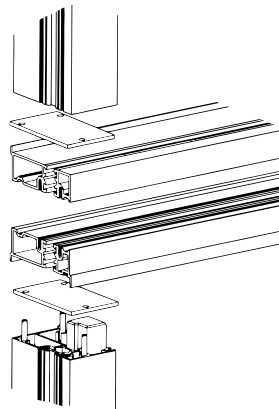
Blade height varies from 200mm to a maximum of 450mm.

Installation Options (indicative only)

Fixing adapters are available for curtain-walling glazing systems and masonry structural openings.



A reduced height profile and connecting plates are available on request. This creates a continuous louvre appearance (stacking) of multiple Ventec Velo windows.



Smoke ventilation systems require regular testing and record-keeping by authorised, competent persons.



...by "Accredited" and "certified smoke vent engineers only"

*REFERENCE: DAME JUDITH HACKITT REPORT



Related Products and Services

The following should also be considered when planning your system.



400 SERIES BATTERY BACK-UP



VENTEC O RANGE COMPATIBLE



400 SERIES WEATHER STATION



VENTEC 1000-G COMPATIBLE



INSTALLATION & MAINTENANCE



PROJECT COMMISSIONING