



1.0m²
GFA
STANDARD
SIZE

UP TO
1.5m²
GFA



24
HR
NEXT DAY
DESPATCH

✓ SMOKE
VENTILATION

✓ 24V
POWER INPUT

✓ 400 Series
COMPATIBLE

✓ O Range
COMPATIBLE

✓ 1000-G
COMPATIBLE

✓ 15-90°
ROOF PITCH

About This Product

The Ventec Centro central pivoting window, with built in 24Vdc actuator, opens up to 90° to vent excess smoke and heat during a fire.

Made of high quality, vacuum impregnated pine which is guaranteed to be knot free. It is finished (internally) with natural lacquer as standard – white or bespoke colours on request.

Product Highlights

- BBA Approved (02/3944).
- 4mm toughened glass outer pane, 14mm steel spacer filled with inert argon gas.
- The 6.8mm internal pane is an anti-burglary class of laminate 33.2 (class P2A, EN 356, 1[B]1 wg EN 12600), complete with a low-emission coating.

Standard Size (in stock)

Structural Opening Width x Height	Geometric Smoke Free Area	Aerodynamic Free Area	Current Consumed
1140mm x 1180mm	1.17m ²	0.71m ² *	1.4 amps

*Value based on 90° installation only

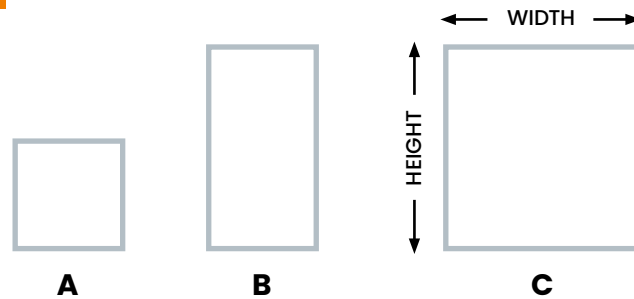
Non-standard sizes available on request

Dimensions, Stroke and Free Area

Dimensions Width x Height (mm)	Stroke Length (mm)	Geometric Smoke Free Area (m ²)	*Aerodynamic Free Area* (m ²)
780 x 780	510	0.50	0.29
780 x 980	640	0.64	0.38
780 x 1180	775	0.78	0.47
780 x 1400	800	0.93	0.58
940 x 780	510	0.61	0.35
940 x 980	640	0.78	0.46
940 x 1180	775	0.96	0.58
940 x 1400	890	1.14	0.70
940 x 1600	890	1.32	0.80
1140 x 780	510	0.75	0.44
1140 x 980	640	0.97	0.57
1140 x 1180 (STANDARD SIZE)	775	1.17 (1.0m² GFA)	0.71
1140 x 1400	890	1.41	0.86
1340 x 780	510	0.90	0.52
1340 x 980	640	1.15	0.68
1340 x 1180	775	1.40	0.84
1340 x 1400	890	1.68	1.01

**Values based on 90° installation only

Nominal Sizes Available



A	Minimum nominal size	780mm (W) x 780mm (H)
B	Max. height at Min. width	780mm (W) x 1400mm (H)
C	Max. height at Max. width	1340mm (W) x 1400mm (H)

Technical Data (standard size)

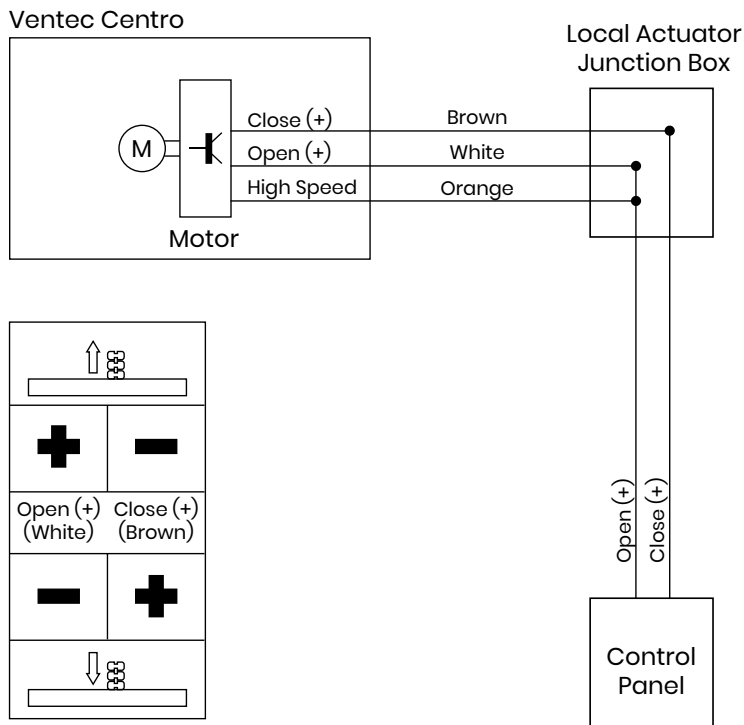
	Ventec Centro
Certification	BS EN 12101-2
Dimensions	1140mm (W) x 1180mm (H)
Vent Opening Angle	90°
Geometric Free Area	1.0m ²
Aerodynamic Free Area	0.71m ² *
Motor Type	Chain Link
Power Input	24Vdc
No. Of Cable Cores	2 Core + Earth (see next page)
Current Consumed	1.4 amps
Opening Time	< 60 seconds
Wind Load Resistance	WL 3000
High Temperature Resistance	B 300 resistance to 300°C
Snow Load Resistance	Up to SL 2741 – depending on pitch and size
Smoke Extraction Reliability	Re 1000
Glazing	Outer pane – 4mm toughened glass, 14mm Steel spacer filled with inert Argon gas. Internal pane – 6.8mm anti-burglary glass
Frame Material	Pine
Internal Colour Options	Pine or white – bespoke colours on request
Roof Pitch Suitability	15° – 90°
Flashing Kit	Tile (up to 5mm) – as standard Deep Tile, Slate, Plain – available on request

*Value based on 90° installation only

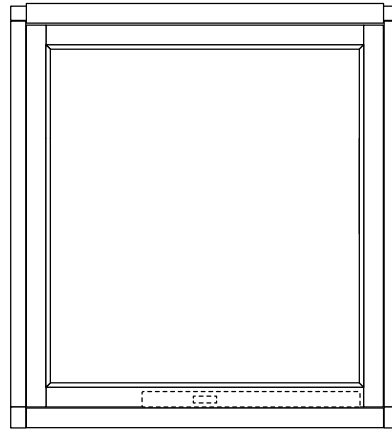
Vent Engineering advises that the design, supply, and installation of all electrical wiring be carried out in accordance with current standards.

Wiring Information

The Ventec Centro's actuator flying lead has 3 cores. To enable high speed operation (for smoke ventilation) it needs to be wired to a control panel in a specific way as shown below.



Actuator Location



EXTERNAL VIEW
Actuator is not visible from outside

Product Codes

Ventec Centro	1140mm(W) x 1180mm(H)	Natural	RVFA-SMO-024V-0001
Ventec Centro	1140mm(W) x 1180mm(H)	White	RVFA-SMO-024V-0002

Alternative sizes available on request
Bespoke colour options available on request



Smoke ventilation systems require regular testing and record-keeping by authorised, competent persons.



...by "Accredited" and "certified smoke vent engineers only"

*REFERENCE:
DAME JUDITH HACKITT REPORT



Related Products and Services

The following should also be considered when planning your system.



VENTEC OSD 400
SMOKE DETECTOR



400 SERIES
BATTERY BACK-UP



VENTEC O RANGE
COMPATIBLE



VENTEC 1000-G
COMPATIBLE



INSTALLATION
& MAINTENANCE



PROJECT
COMMISSIONING